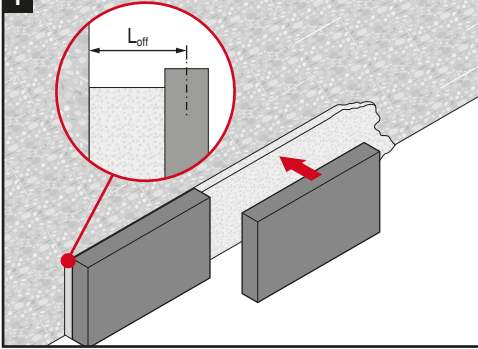
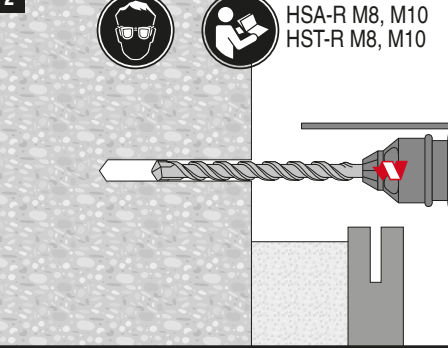


	L_{off}
HC-SF-A 65-83 HC-SF-A 65-83 (B)	65...83 mm
HC-SF-A 83-120 HC-SF-A 83-120 (B)	83...120 mm

1



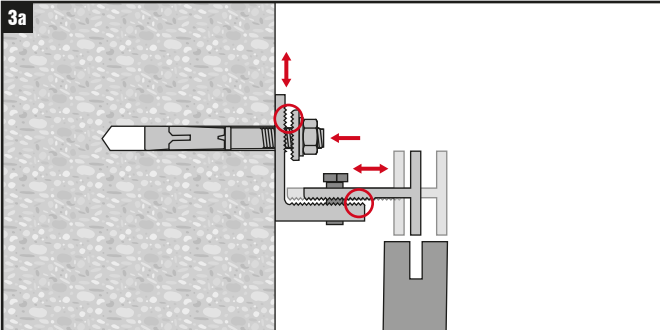
2



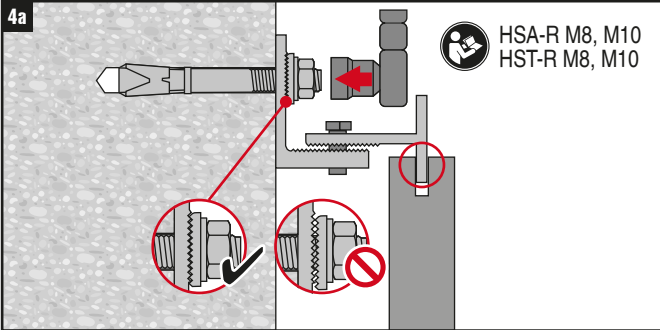
HSA-R M8, M10
HST-R M8, M10

HC-SF-A 65-83 / HC-SF-A 83-120

3a

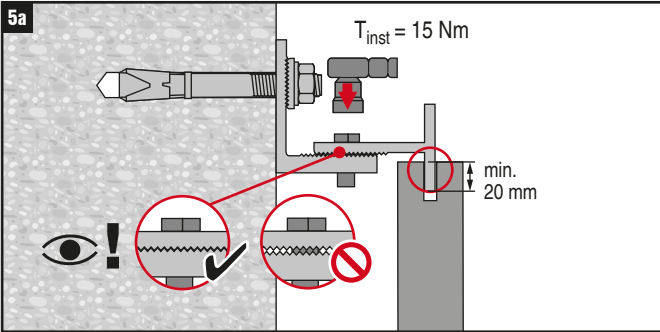


4a



HSA-R M8, M10
HST-R M8, M10

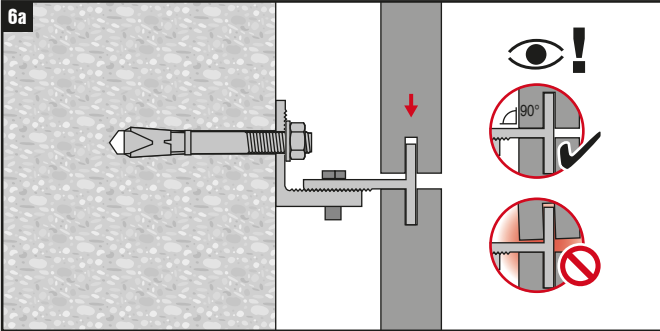
5a



$T_{inst} = 15 \text{ Nm}$

min. 20 mm

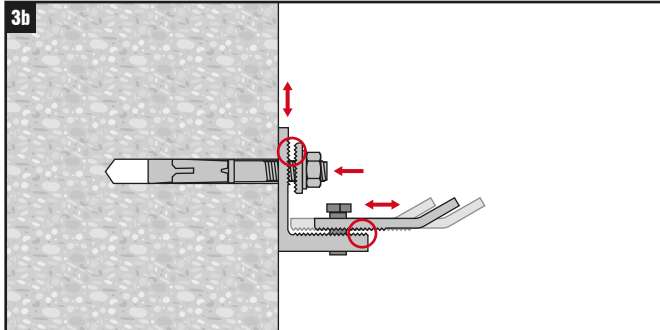
6a



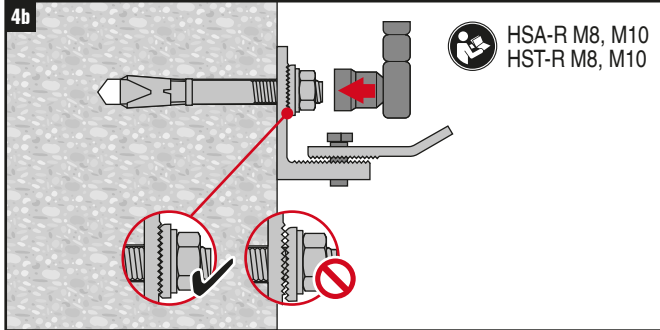
90°

HC-SF-A 65-83 (B) / HC-SF-A 83-120 (B)

3b

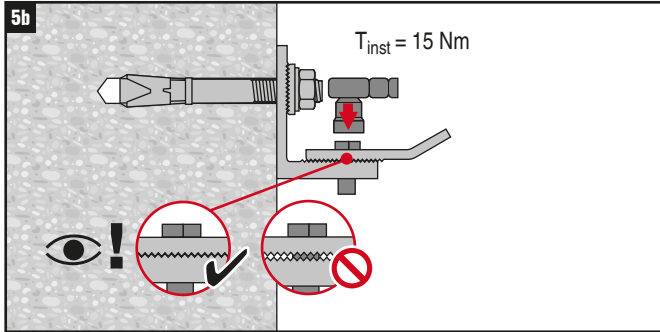


4b



HSA-R M8, M10
HST-R M8, M10

5b



$T_{inst} = 15 \text{ Nm}$

6b

